
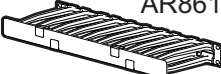


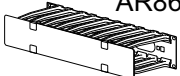
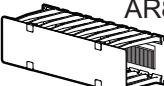
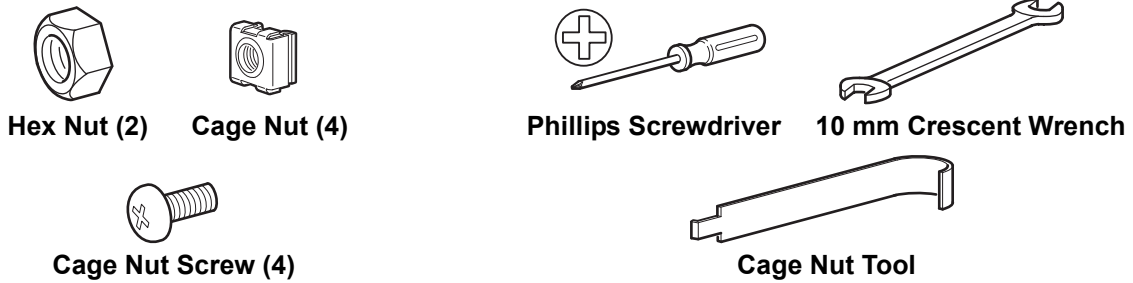


## Horizontal Cable Manager

AR8600A, AR8602A, AR8603A, AR8605, AR8606, AR8612

		Depth	
		4 in. (101.6 mm)	6 in. (152.4 mm)
Height	1U	AR8602A 	AR8612 
	2U	AR8600A 	AR8603A  AR8606 
	3U		AR8605 

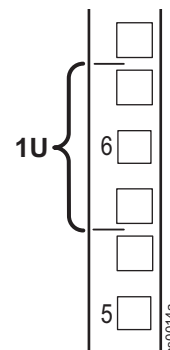
### Tools Required (not provided)



### Cage Nuts

**NOTE:** Read and follow the manufacturer's installation instructions for your rack-mount equipment.

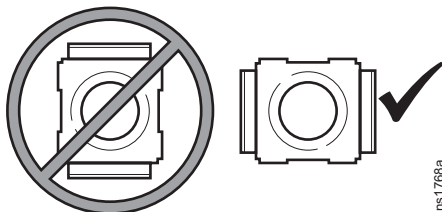
Locate the top and bottom U-space on the vertical mounting rails. Every third hole on the mounting rails is numbered to indicate the middle of a U-space.

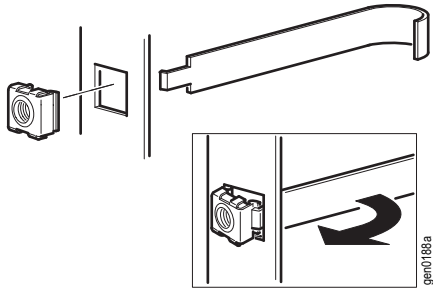


### NOTES:

Install cage nuts horizontally, with the ears engaging the sides of the square hole.

Install the cage nuts on the interior of the vertical mounting flange.





**Installation:**

From inside the enclosure, insert the cage nut into the square hole.

Hook one ear of the cage nut assembly through the far side of the hole.

Place the cage nut tool on the other side of the cage nut and pull to snap into position.

<b>⚠ CAUTION</b>
<b>HAZARD OF FALLING EQUIPMENT</b>
Never install cage nuts vertically with the ears engaging the top and bottom of the square hole. This will result in insecure mounting for rack-mounted equipment.
<b>Failure to follow these instructions can result in injury or equipment damage.</b>

**Removal:**

Remove any attached screw.

Grasp the cage nut and squeeze the sides to release it from the square hole.

**Installation**

Adjust the depth of the vertical mounting rails (if needed) for non-networking cabinets.

